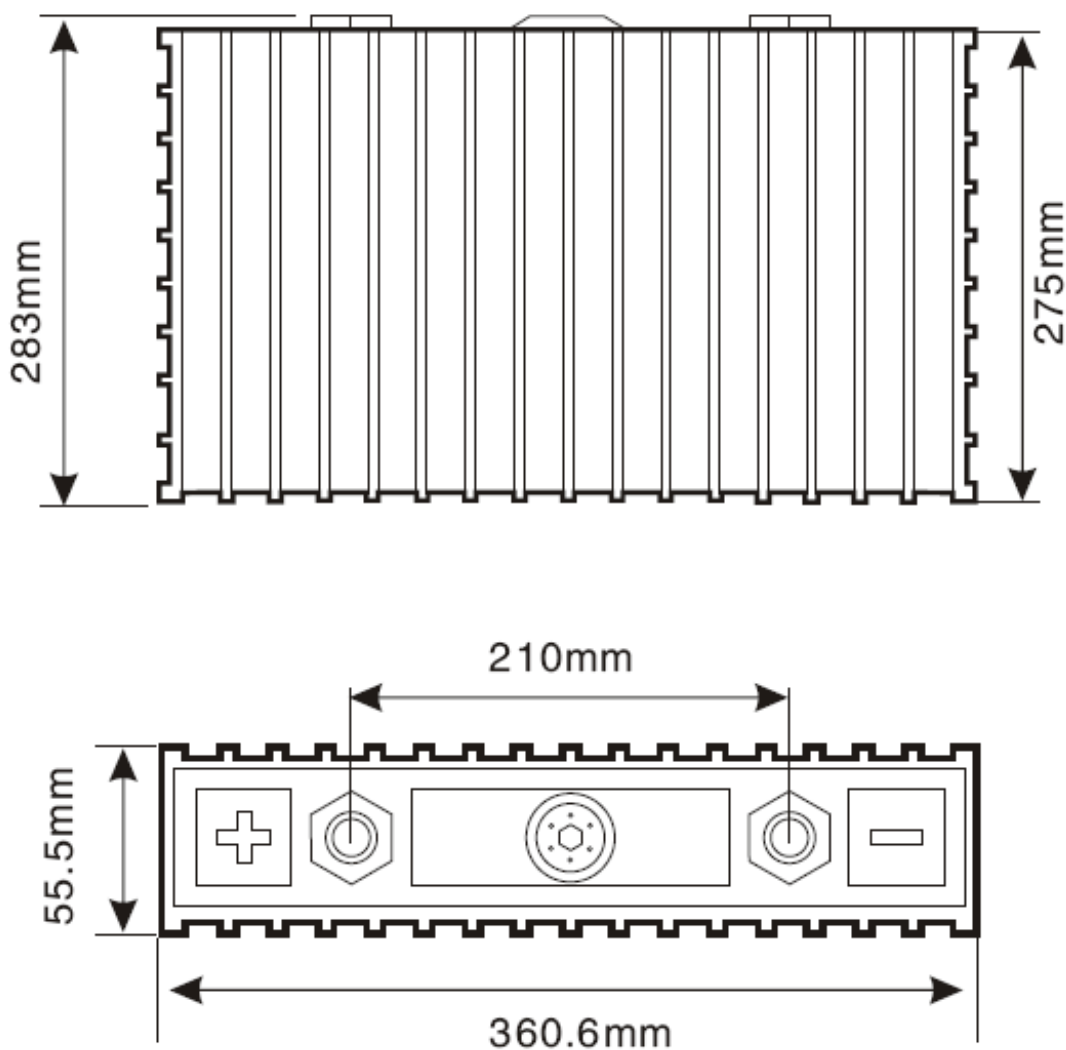


LFP260AH – WB-LYP260AHA



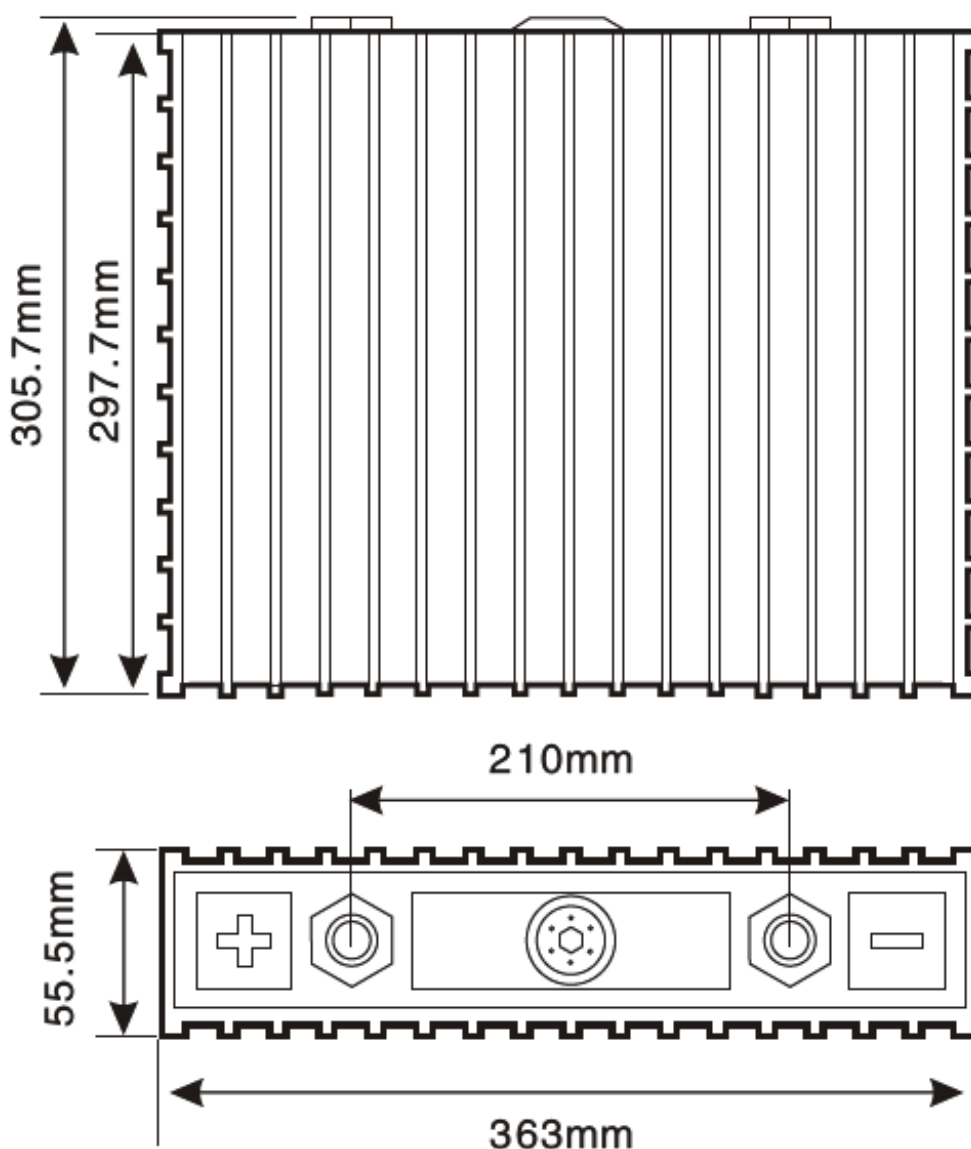
Model name	LFP260AHA	Older product marking TS-LFP260AHA, TS-LYP260AHA
Nominal voltage	3.2 V	Operating voltage under load is 3.0 V
Capacity	260 AH	+/- 5%
Operating voltage	max 4.0V - min 2.8V	At 80% DOD
Deep discharge voltage	2.5 V	The cells is damaged if voltage drops bellow this level
Maximal charge voltage	4.0 V	The cells is damaged if voltage exceeds this level
Optimal discharge current	< 130 A	0.5 C
Maximal discharge current	< 780 A	3 C, continuous for max 15 minutes from full charge
Max peak discharge current	< 5200 A	20 C, maximal 5 seconds in 1 minute
Optimal charge current	< 130 A	0.5 C
Maximal charge current	< 780 A	< 3 C with battery temperature monitoring
Maximal continuous operating temperature	80 °C	The battery temperature should not increase this level during charge and discharge
Dimensions	362x56x283 mm	Millimeters (tolerance +/- 2 mm)
Weight	9.5 kg	Kilograms (tolerance +/- 150g)



LFP300AH – WB-LYP300AHA



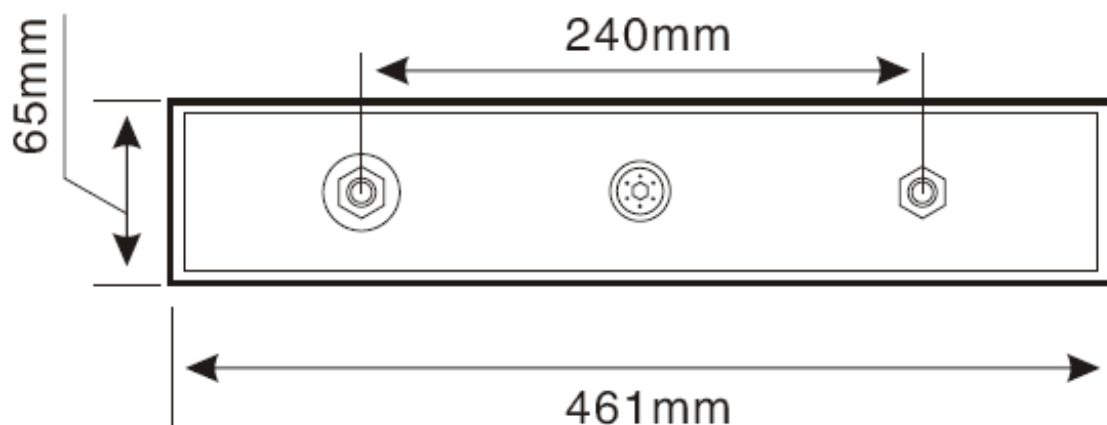
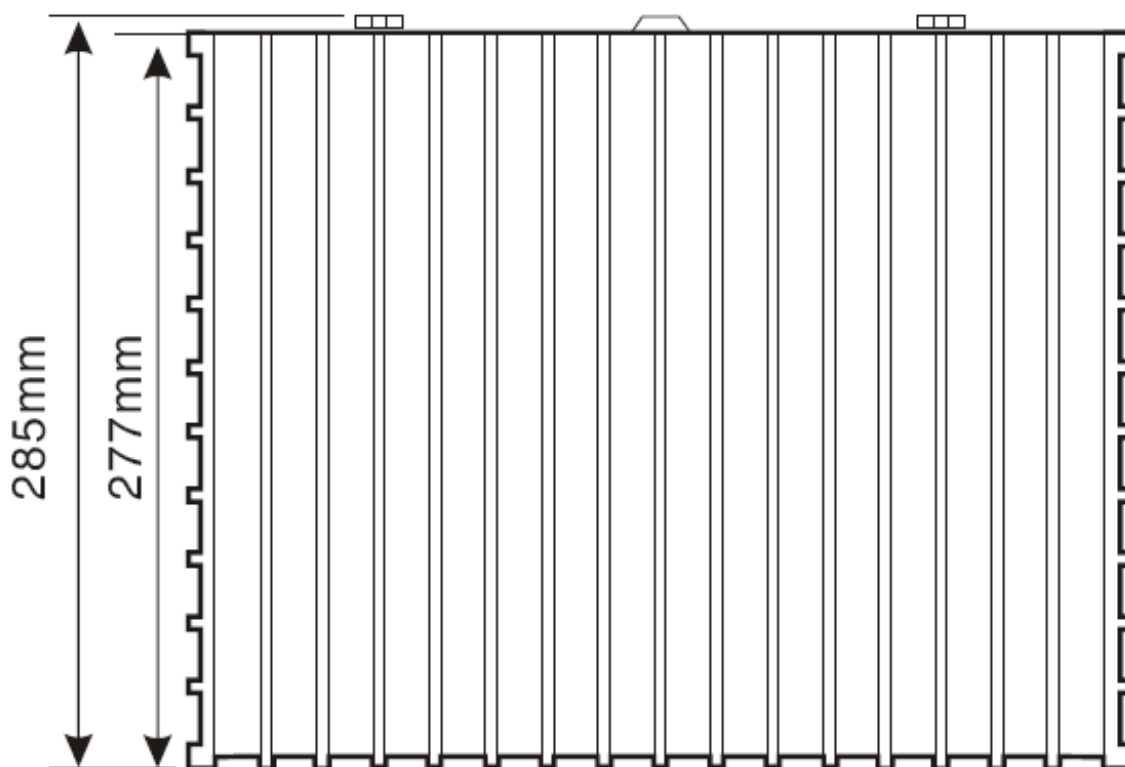
Model name	LFP300AHA	Older product marking TS-LFP300AHA, TS-LYP300AHA
Nominal voltage	3.2 V	Operating voltage under load is 3.0 V
Capacity	300 AH	+/- 5%
Operating voltage	max 4.0V - min 2.8V	At 80% DOD
Deep discharge voltage	2.5 V	The cells is damaged if voltage drops bellow this level
Maximal charge voltage	4.0 V	The cells is damaged if voltage exceeds this level
Optimal discharge current	< 150 A	0.5 C
Maximal discharge current	< 900 A	3 C, continuous for max 15 minutes from full charge
Max peak discharge current	< 6000 A	20 C, maximal 5 seconds in 1 minute
Optimal charge current	< 150 A	0.5 C
Maximal charge current	< 900 A	< 3 C with battery temperature monitoring
Maximal continuous operating temperature	80 °C	The battery temperature should not increase this level during charge and discharge
Dimensions	362x56x306 mm	Millimeters (tolerance +/- 2 mm)
Weight	10.5 kg	Kilograms (tolerance +/- 150g)



LFP400AH – WB-LYP400AHA



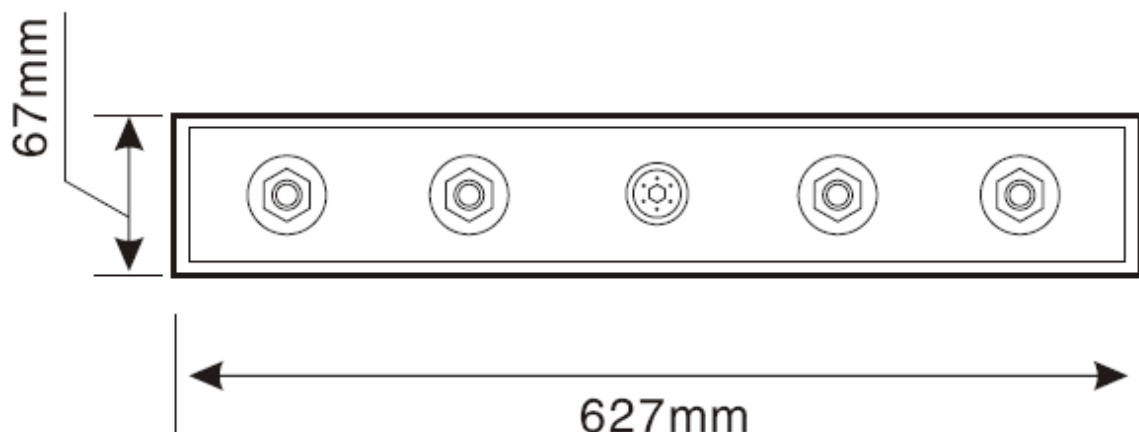
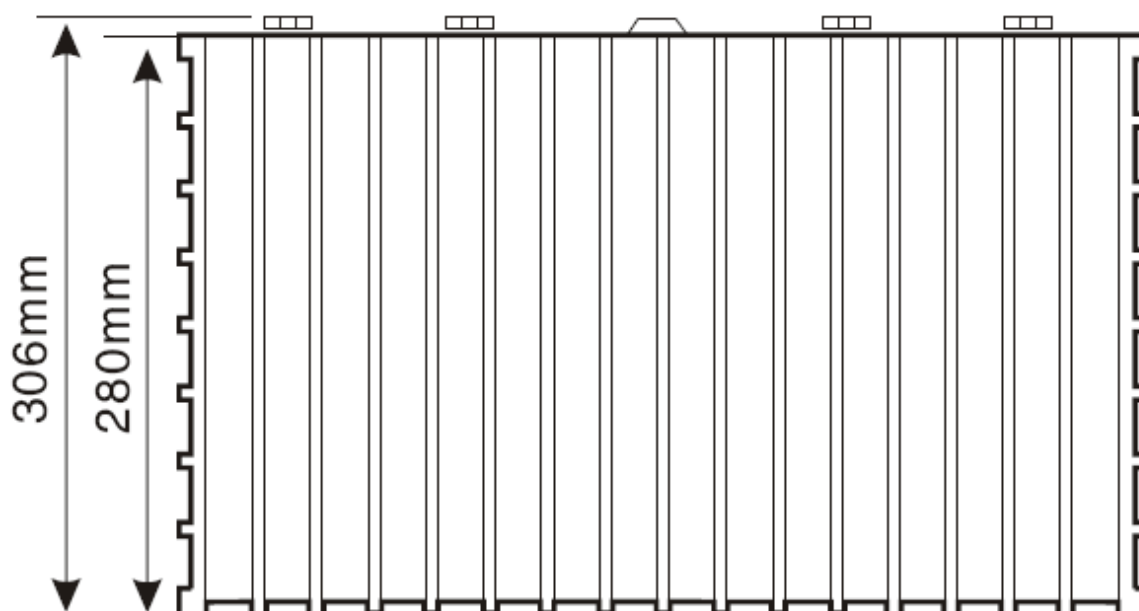
Model name	LFP400AHA	Older product marking TS-LFP400AHA, TS-LYP400AHA
Nominal voltage	3.2 V	Operating voltage under load is 3.0 V
Capacity	400 AH	+/- 5%
Operating voltage	max 4.0V - min 2.8V	At 80% DOD
Deep discharge voltage	2.5 V	The cells is damaged if voltage drops bellow this level
Maximal charge voltage	4.0 V	The cells is damaged if voltage exceeds this level
Optimal discharge current	< 200 A	0.5 C
Maximal discharge current	< 1200 A	3 C, continuous for max 15 minutes from full charge
Max peak discharge current	< 8000 A	20 C, maximal 5 seconds in 1 minute
Optimal charge current	< 200 A	0.5 C
Maximal charge current	< 1200 A	< 3 C with battery temperature monitoring
Maximal continuous operating temperature	80 °C	The battery temperature should not increase this level during charge and discharge
Dimensions	461x65x285 mm	Millimeters (tolerance +/- 2 mm)
Weight	13.7 kg	Kilograms (tolerance +/- 150g)



LFP700AH – WB-LYP700AHA



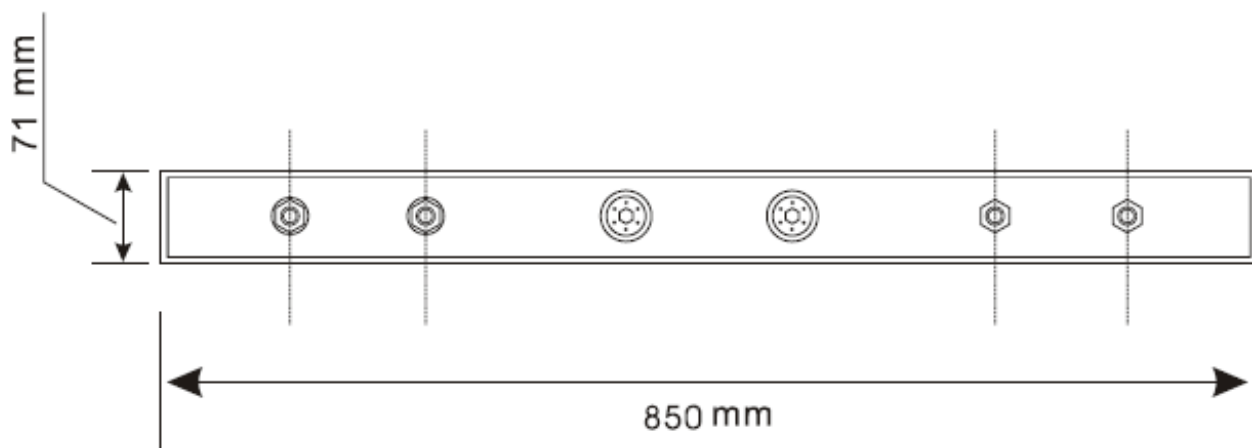
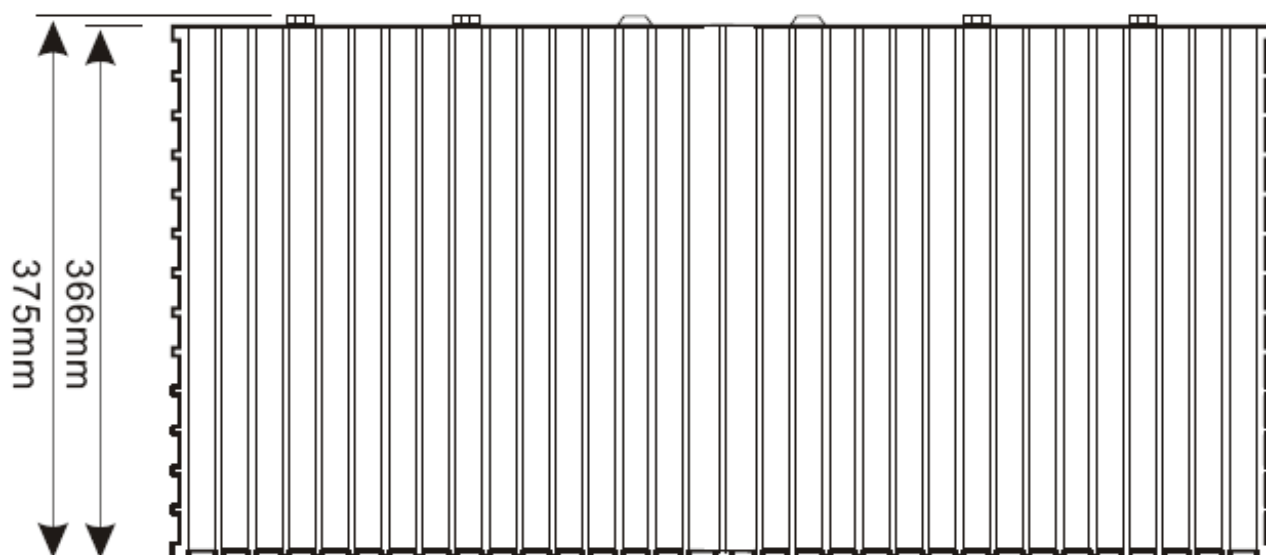
Model name	LFP700AHA	Older product marking TS-LFP700AHA, TS-LYP700AHA
Nominal voltage	3.2 V	Operating voltage under load is 3.0 V
Capacity	700 AH	+/- 5%
Operating voltage	max 4.0V - min 2.8V	At 80% DOD
Deep discharge voltage	2.5 V	The cells is damaged if voltage drops bellow this level
Maximal charge voltage	4.0 V	The cells is damaged if voltage exceeds this level
Optimal discharge current	< 350 A	0.5 C
Maximal discharge current	< 2100 A	3 C, continuous for max 15 minutes from full charge
Max peak discharge current	< 14000 A	20 C, maximal 5 seconds in 1 minute
Optimal charge current	< 350 A	0.5 C
Maximal charge current	< 2100 A	< 3 C with battery temperature monitoring
Maximal continuous operating temperature	80 °C	The battery temperature should not increase this level during charge and discharge
Dimensions	627x67x306 mm	Millimeters (tolerance +/- 2 mm)
Weight	21 kg	Kilograms (tolerance +/- 150g)



LFP1000AH – WB-LYP1000AHA



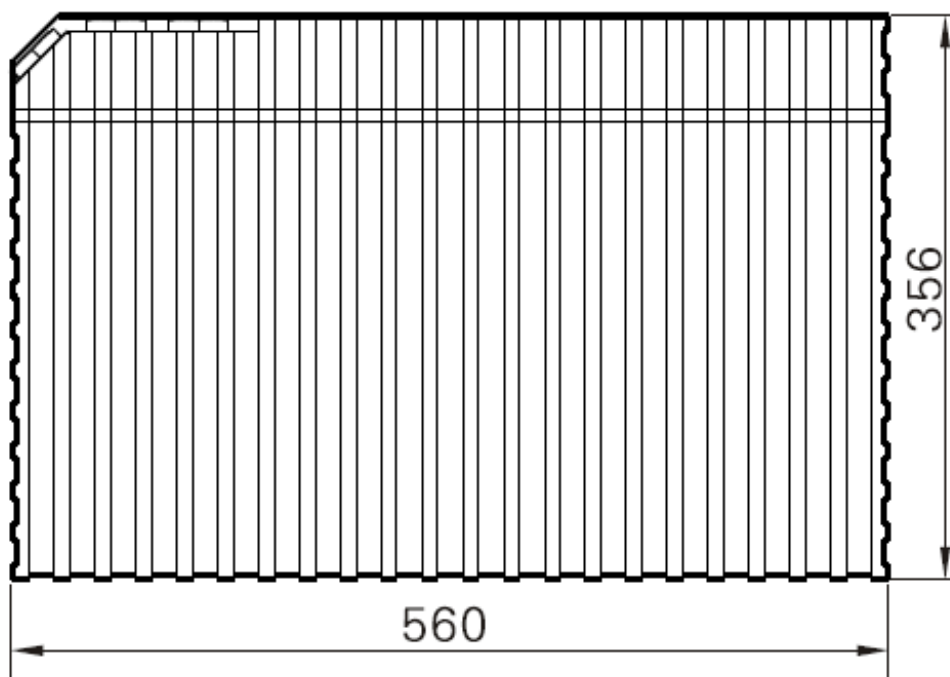
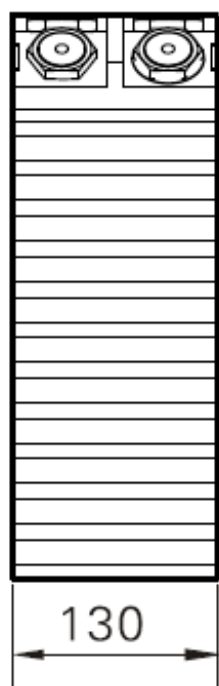
Model name	LFP1000AHA	Older marking TS-LFP1000AHA, TS-LYP1000AHA
Nominal voltage	3.2 V	Operating voltage under load is 3.0 V
Capacity	1000 AH	+/- 5%
Operating voltage	max 4.0V - min 2.8V	At 80% DOD
Deep discharge voltage	2.5 V	The cells is damaged if voltage drops bellow this level
Maximal charge voltage	4.0 V	The cells is damaged if voltage exceeds this level
Optimal discharge current	< 500 A	0.5 C
Maximal discharge current	< 3000 A	3 C, continuous for max 15 minutes from full charge
Max peak discharge current	< 20000 A	20 C, maximal 5 seconds in 1 minute
Optimal charge current	< 500 A	0.5 C
Maximal charge current	< 3000 A	< 3 C with battery temperature monitoring
Maximal continuous operating temperature	80 °C	The battery temperature should not increase this level during charge and discharge
Dimensions	850x71x375 mm	Millimeters (tolerance +/- 2 mm)
Weight	35 kg	Kilograms (tolerance +/- 150g)



LFP1000AHC – WB-LYP1000AHC



Model name	LFP1000AHC	Older marking TS-LFP1000AHC, TS-LYP1000AHC
Nominal voltage	3.2 V	Operating voltage under load is 3.0 V
Capacity	1000 AH	+/- 5%
Operating voltage	max 4.0V - min 2.8V	At 80% DOD
Deep discharge voltage	2.5 V	The cells is damaged if voltage drops bellow this level
Maximal charge voltage	4.0 V	The cells is damaged if voltage exceeds this level
Optimal discharge current	< 500 A	0.5 C
Maximal discharge current	< 3000 A	3 C, continuous for max 15 minutes from full charge
Max peak discharge current	< 20000 A	20 C, maximal 5 seconds in 1 minute
Optimal charge current	< 500 A	0.5 C
Maximal charge current	< 3000 A	< 3 C with battery temperature monitoring
Maximal continuous operating temperature	80 °C	The battery temperature should not increase this level during charge and discharge
Dimensions	560x130x356 mm	Millimeters (tolerance +/- 2 mm)
Weight	35 kg	Kilograms (tolerance +/- 150g)



LFP7000AHC – WB-LYP7000AHC



Model name	LFP7000AHC	Older marking TS-LFP1000AHC, TS-LYP1000AHC
Nominal voltage	3.2 V	Operating voltage under load is 3.0 V
Capacity	7000 AH	+/- 5%
Operating voltage	max 4.0V - min 2.8V	At 80% DOD
Deep discharge voltage	2.5 V	The cells is damaged if voltage drops bellow this level
Maximal charge voltage	4.0 V	The cells is damaged if voltage exceeds this level
Optimal discharge current	< 3500 A	0.5 C
Maximal discharge current	< 10000 A	3 C, continuous for max 15 minutes from full charge
Max peak discharge current	< 50000 A	20 C, maximal 5 seconds in 1 minute
Optimal charge current	< 3500 A	0.5 C
Maximal charge current	< 10000 A	< 3 C with battery temperature monitoring
Maximal continuous operating temperature	80 °C	The battery temperature should not increase this level during charge and discharge
Dimensions	1057x166x786 mm	Millimeters (tolerance +/- 2 mm)
Weight	175 kg	Kilograms (tolerance +/- 150g)

